



# HYDRONIC TUBULAR RADIATORS

Hydronic panel radiators are not only high performance – elegance, superb finish and design are an integral part of the completed product. Made using top quality techniques and materials, it guarantees high thermal efficiency and great reliability. Interior design trends change and redefine spaces, but its compact essential shape is always modern and versatile.



**FINISHES**  
High gloss white



**COLOUR**  
Standard white -  
RAL 9016.



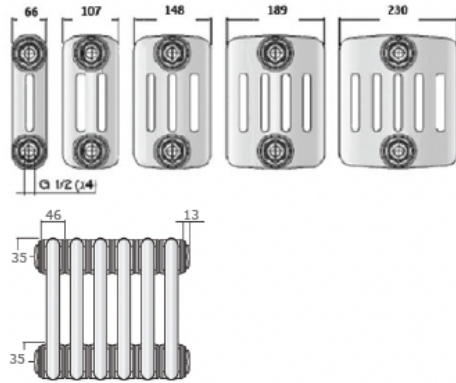
**MEASUREMENTS**  
Heights from 300mm to  
900mm. Widths from 400mm  
up to 3000mm.  
Available as single, compact,  
double and triple panels.

Tables based on  $\Delta T$  50 - mean water temperature in radiator of 70°C and room temperature of 20°C.  $\Delta T$  60 mean water temperature in radiator of 80°C and room temperature of 20°C. Radiator outputs to EN442 Standard.

Height	# Columns	Output Kw		Height	# Columns	Output Kw		Height	# Columns	Output Kw		Height	# Columns	Output Kw	
		$\Delta T$ 50	$\Delta T$ 60			$\Delta T$ 50	$\Delta T$ 60			$\Delta T$ 50	$\Delta T$ 60			$\Delta T$ 50	$\Delta T$ 60
300	2	0.024	0.030	750	2	0.055	0.069	1500	2	0.106	0.135	2500	2	0.180	0.229
	3	0.033	0.042		3	0.074	0.094		3	0.144	0.183		3	0.246	0.312
	4	0.042	0.053		4	0.100	0.126		4	0.194	0.247		4	0.322	0.409
	5	0.052	0.065		5	0.119	0.151		5	0.228	0.291		5	0.380	0.483
	6	0.062	0.078		6	0.144	0.183		6	0.276	0.351		6	0.452	0.576
400	2	0.031	0.039	900	2	0.065	0.082	1800	2	0.128	0.162	2800	2	0.204	0.259
	3	0.042	0.053		3	0.088	0.111		3	0.174	0.221		3	0.279	0.354
	4	0.055	0.070		4	0.119	0.150		4	0.232	0.295		4	0.362	0.458
	5	0.067	0.085		5	0.141	0.179		5	0.273	0.349		5	0.427	0.542
	6	0.081	0.102		6	0.171	0.217		6	0.329	0.419		6	0.506	0.644
500	2	0.038	0.048	1000	2	0.072	0.091	2000	2	0.142	0.181	3000	2	0.218	0.277
	3	0.052	0.065		3	0.097	0.123		3	0.194	0.246		3	0.302	0.383
	4	0.068	0.086		4	0.131	0.166		4	0.258	0.328		4	0.388	0.491
	5	0.082	0.104		5	0.155	0.197		5	0.303	0.387		5	0.459	0.583
	6	0.099	0.125		6	0.188	0.240		6	0.364	0.464		6	0.542	0.690
600	2	0.045	0.056	1200	2	0.086	0.108	2200	2	0.157	0.200	*Other heights available on request			
	3	0.061	0.076		3	0.116	0.147		3	0.214	0.272				
	4	0.081	0.102		4	0.157	0.198		4	0.283	0.360				
	5	0.097	0.122		5	0.185	0.235		5	0.333	0.425				
	6	0.117	0.149		6	0.224	0.285		6	0.399	0.508				

Each section width 46mm

### Installation Dimensions



### Optional Feet Installation (additional cost)

Type A foot for 2 column

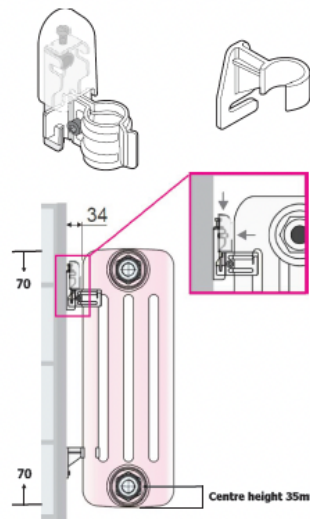


Type B foot for all other sections



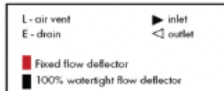
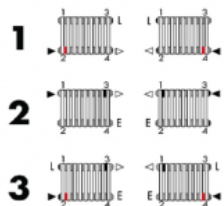
### GBT Wall Bracket

Centre of noggins 70mm from top of radiators. Suggested size for noggins; 90mm x 45mm framing timber



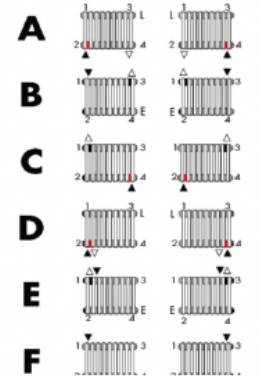
### Connection Possibilities

standard

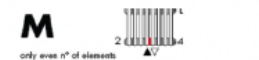


The standard configuration has four 1/2" reductions and one 1/2" pre-mounted blanking plug.

from/to upper side/lower side



centre connection



\* PLEASE NOTE: Any product installed in areas of high humidity (including bathrooms, changing rooms, etc) are limited to a 12 month product only warranty Please contact Hydronic NSW for terms & conditions